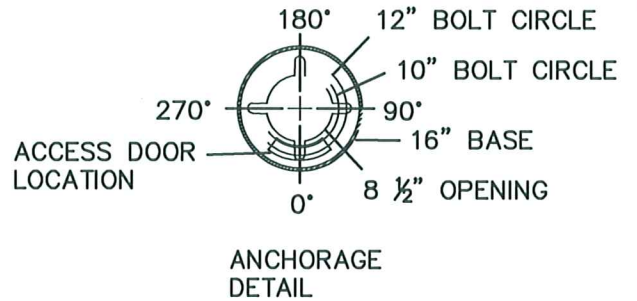


UTILITY WASHINGTON ACORN WITH CUTOFF OPTICS
HOLOPHANE #WAU-100HP-MC-M-X-6-X-4-X-LAMP

FOR COLOR CHANGE "X" TO:
B FOR BLACK
Z FOR BRONZE
N FOR GREEN

FOR 20A GFI RECEPTACLE
ADD # FGIUS-20
(OPTIONAL - SEE PLAN)



CHARLESTON FLUTED POLE
HOLOPHANE #CH14.5F5/U16-CA-X

FOR COLOR CHANGE "X" TO:
BKH FOR BLACK
DBH FOR BRONZE
DGH FOR DARK GREEN

BOLT CIRCLE 10" TO 12"
3/4" ANCHOR BOLTS

APPROVED LIGHT BASE FOUNDATION:
MILLERBERND # 490A111 SCREW-IN
ANCHOR BASE, OR MN/DOT CONCRETE
LIGHT BASE DESIGN E MOD
(SEE PLAN FOR DETAIL)



CITY OF EDINA
ENGINEERING
& PUBLIC
WORKS
DEPTS.

WASHINGTON ACORN

Wayne Howle
APPROVED: CITY ENGINEER

REVISED:
01-08

STANDARD
PLATE

610