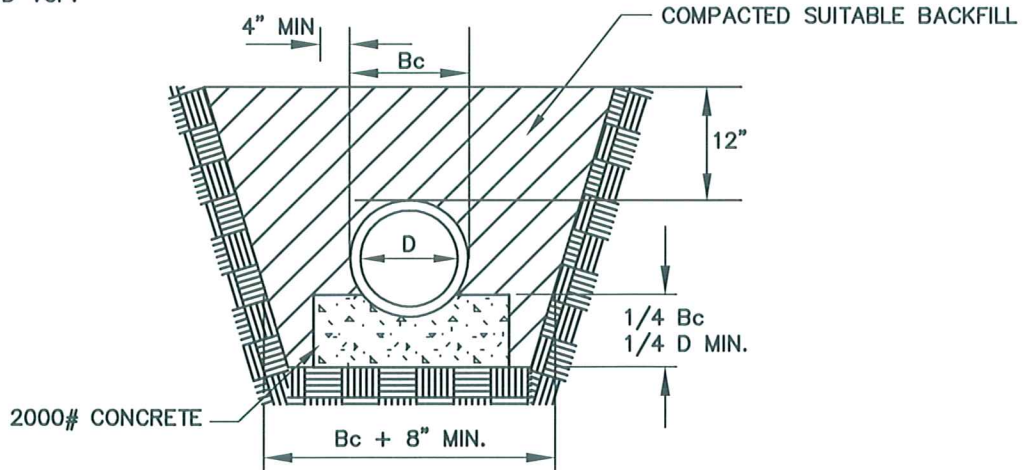


NOTE:

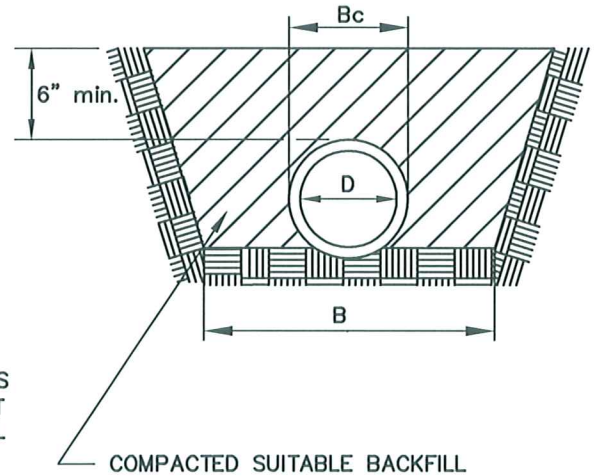
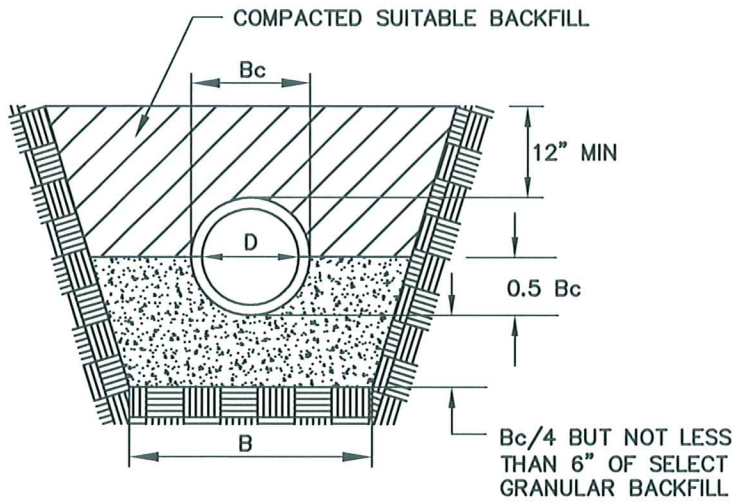
PIPE BEDDING DETAIL INTENDED FOR RCP, PVC, DIP, AND VCP.



CLASS A

NOTE

"Bc" DENOTES OUTSIDE DIAMETER OF PIPE



PIPE DIAMETER(D)	B
36" OR LESS	Bc + 24"
42" TO 54"	1.5 X Bc
60" OR OVER	Bc + 36"

CLASS B

PIPE DIAMETER(D)	B
36" OR LESS	Bc + 24"
42" TO 54"	1.5 X Bc
60" OR OVER	Bc + 36"

CLASS C



CITY OF EDINA
ENGINEERING
& PUBLIC
WORKS
DEPTS.

PIPE BEDDING DETAIL

Wayne A. Soul
APPROVED: CITY ENGINEER

REVISED:
04-09
STANDARD
PLATE
380